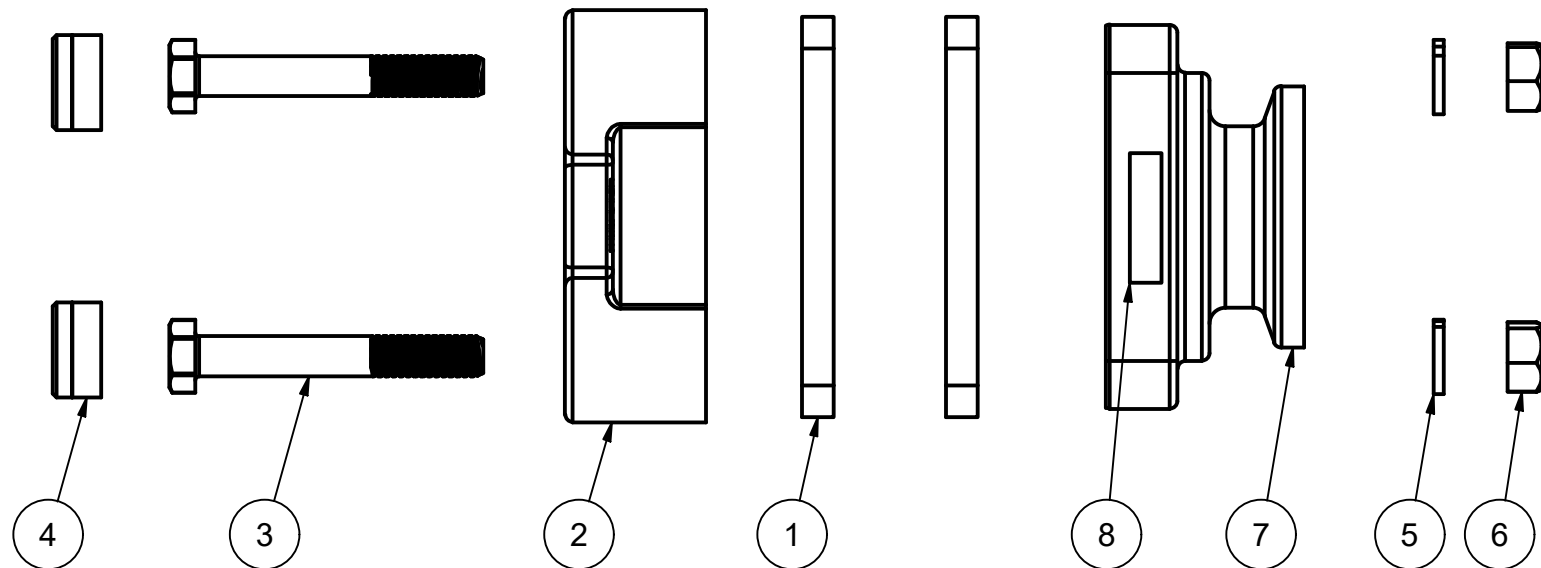
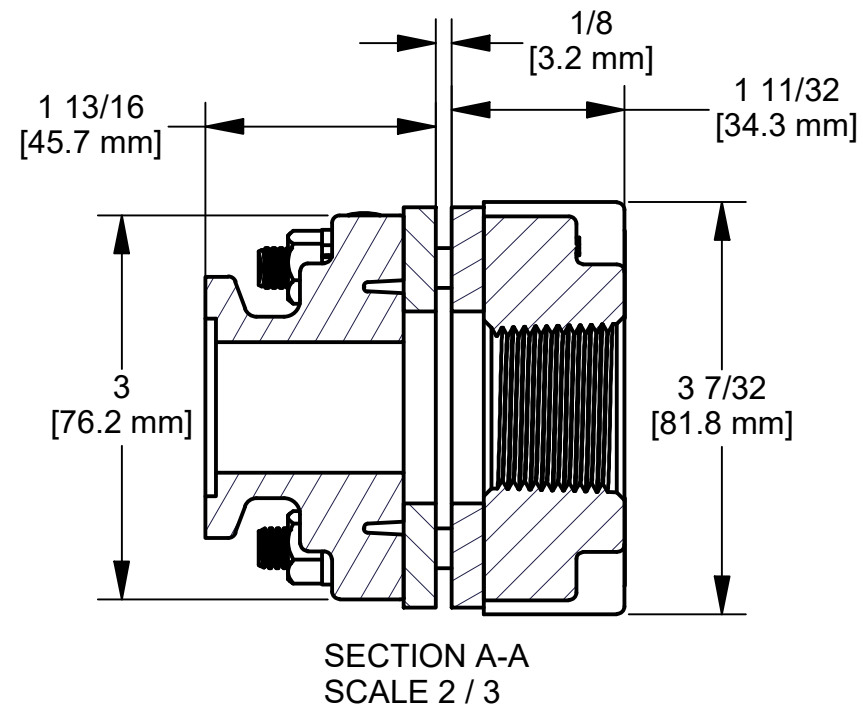
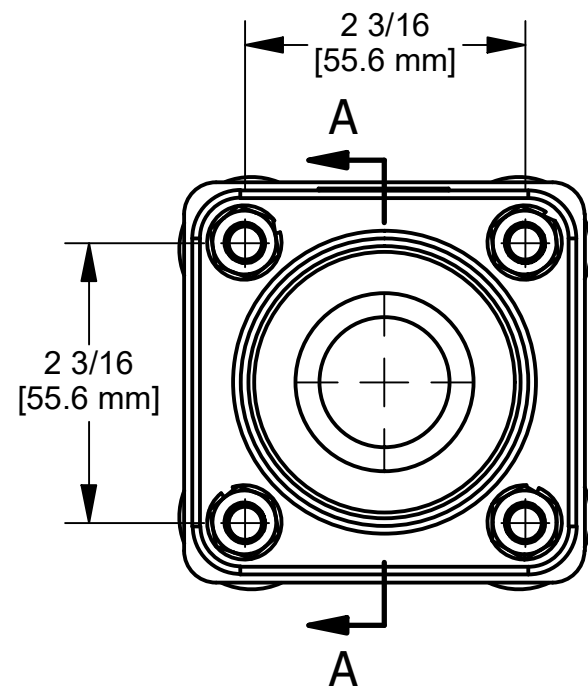



PARTS LIST			
ITEM	QTY	PART NUMBER	DESCRIPTION
1	2	BF100GE	1" B.F. GASKET
2	1	BF101	BOLTED FLANGE END PLATE
3	4	BF107	5/16-18 X 2 1/4" HHCS
4	4	BF304A	BOLTED FLANGE PLUG
5	4	V10118	5/16" LOCKWASHER
6	4	V10119	5/16" HEX NUT
7	1	V10178	1" MANIFOLD BF ENDPLATE, MACHINED
8	1	VL1004	EPDM DECAL



THIS DRAWING AND ALL INFORMATION CONTAINED THEREON ARE THE EXCLUSIVE PROPERTY OF BANJO CORPORATION.

UNLESS SPECIFICALLY NOTED, THIS DRAWING AND ITEMS SHOWN ON THIS DRAWING ARE SUBJECT TO CHANGE AT ANY TIME.



**BANJO CORPORATION**

150 BANJO DRIVE, CRAWFORDSVILLE, IN 47933  
 WEB SITE: WWW.BANJOCORP.COM  
 E-MAIL: BANJOSALES@IDEXCORP.COM

DESCRIPTION	1" BOLTED MANIFOLD TANK FLANGE, W/ 2-1/4" BOLTS
PART NUMBER	MBF100